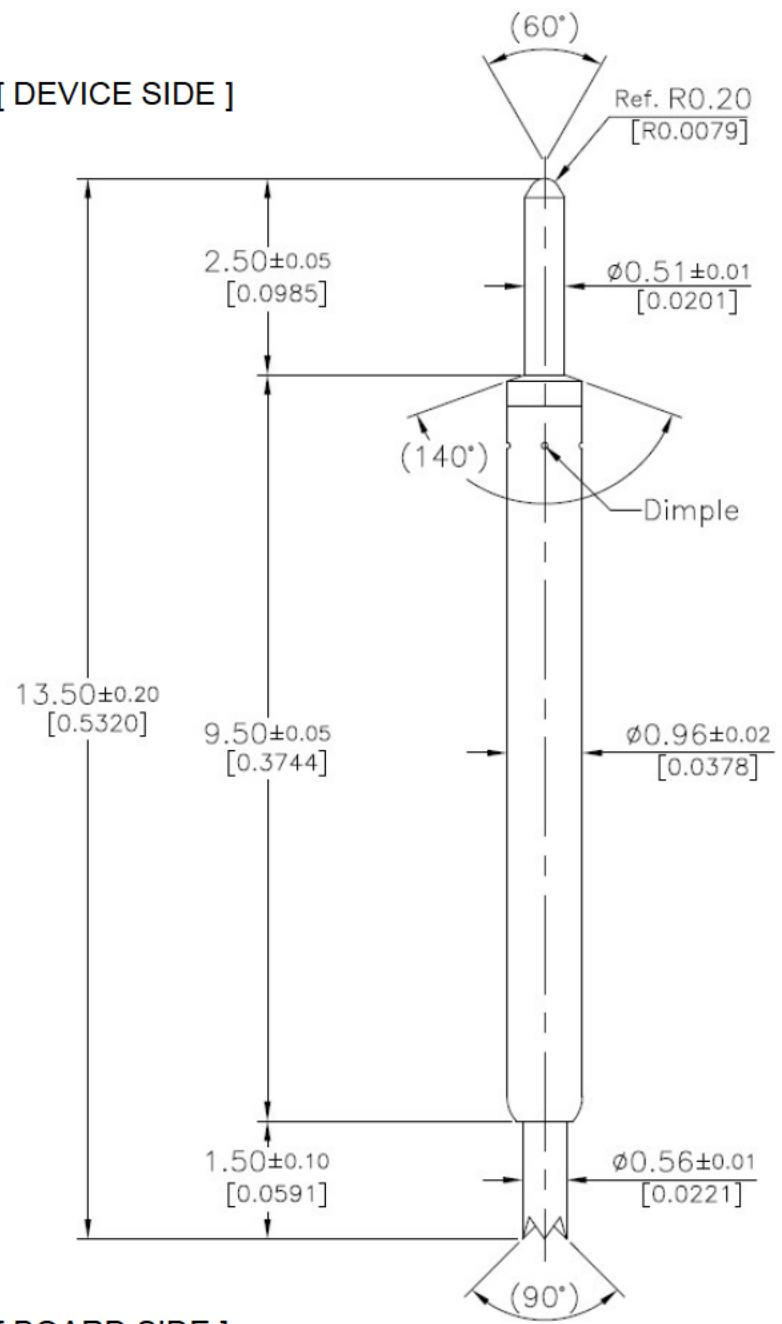


REV	DESCRIPTION	DATE	BY
A	NEW DRAWING	05/18/16	JAG

SKT4264

[ DEVICE SIDE ]



[ BOARD SIDE ]

\*Pointing Accuracy: ± 0.06 mm

Spring Force: ± 20%

STATE	TRAVEL	SPRING FORCE
Initial Travel	--	41.0g (1.447oz)
Recommended Travel	1.02mm (0.0402")	81.0g (2.855oz)
Full Travel	1.48mm (0.0583")	99.0g (3.492oz)

PART	MATERIAL	FINISH
Terminal [Device Side]	Brass	Gold Plated
Plunger [Board Side]	Brass	Gold Plated
Barrel	Phosphor Bronze	Gold Plated
Spring	Music Wire	Gold Plated

**\*NOTICE:** It is important to highly consider the Pointing Accuracy with the housing design to avoid SHORT issues or abnormal mechanical operation.

ALL DIMENSIONS ARE IN MILLIMETERS UNLESS OTHERWISE SPECIFIED

<b>ET</b>	<b>EMULATION TECHNOLOGY, INC.</b>	
	VLSI and SMT ADAPTERS and ACCESSORIES	
741 FLYNN ROAD		TEL: (805) 383-8480
CAMARILLO, CA 93012		FAX: (805) 383-8484
SHEET: 1 OF 1	DATE: 05/18/16	REVISION: A
CHECKED:		ASSEMBLY DRAWING
PREPARED BY: J. GELACIO		ITEM: POGO-PIN-13.5-1
DO NOT SCALE DRAWING		DESCRIPTION: POGO-PIN-13.5-1