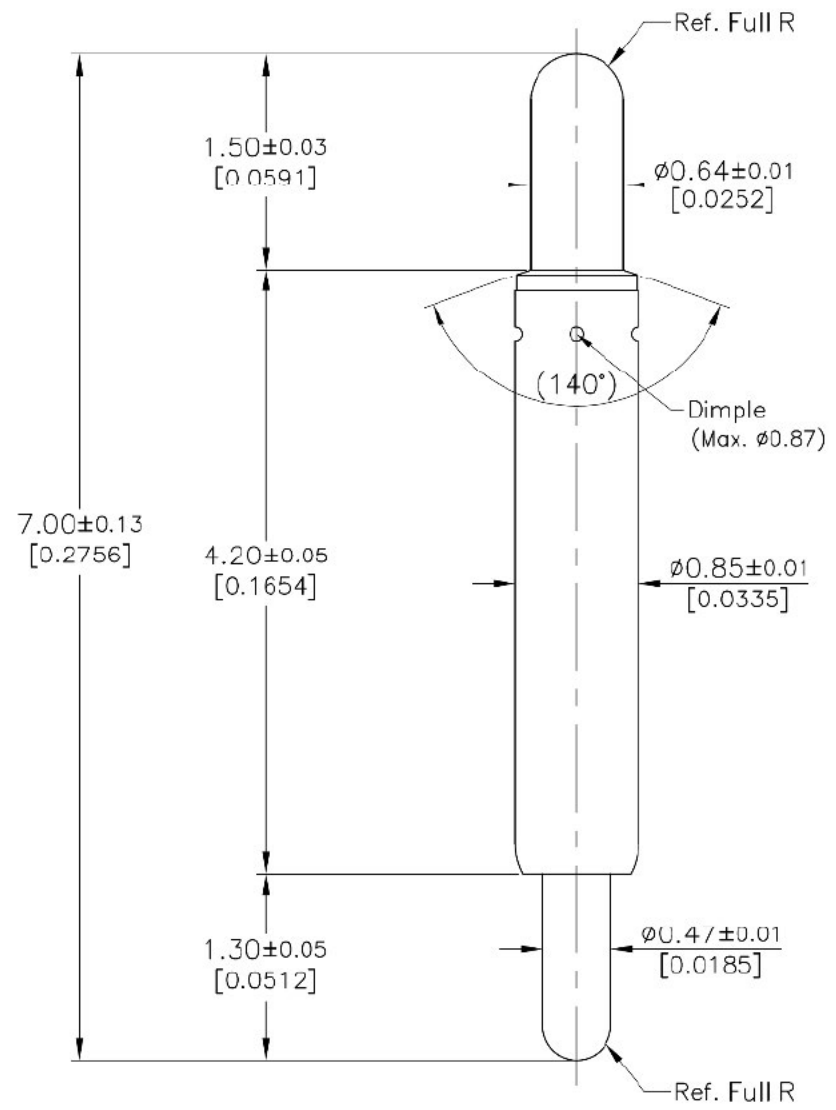


REV	DESCRIPTION	DATE	BY
A	NEW DRAWING	12/17/14	JAG

SKT4118

**DEVICE SIDE**



**BOARD SIDE**

**Pointing Accuracy: ± 0.065 mm**

*Note: It is highly recommended to consider this Pointing Accuracy in the housing design to avoid SHORT issues or abnormal mechanical operation.*

**Spring Force: ± 20%**

STATE	TRAVEL	SPRING FORCE
Initial Travel	--	8.2g (0.289oz)
Recommended Travel	0.75mm (0.0295)	37.0g (1.305oz)
Full Travel	1.00mm (0.0394)	46.6g (1.644oz)

PART	MATERIAL	FINISH
Terminal (Device Side)	Hardened Beryllium Copper	Gold Plated
Plunger (Board Side)	Hardened Beryllium Copper	Gold Plated
Barrel	Phosphor Bronze	Gold Plated
Spring	Stainless Steel	Gold Plated
Ball	Hardened Steel	Gold Plated

ALL DIMENSIONS ARE IN MILLIMETERS UNLESS OTHERWISE SPECIFIED



**EMULATION TECHNOLOGY, INC.**  
 — VLSI and SMT ADAPTERS and ACCESSORIES —  
 759 FLYNN ROAD  
 CAMARILLO, CA 93012  
 TEL: (805) 383-8480  
 FAX: (805) 383-8484

SHEET: 1 OF 1	DATE: 12/17/14	REVISION: A	<b>ASSEMBLY DRAWING</b>
CHECKED:	PREPARED BY: J. GELACIO	ITEM: POGO-PIN-7.00-4	
<b>DO NOT SCALE DRAWING</b>			DESCRIPTION: POGO-PIN-7.00-4