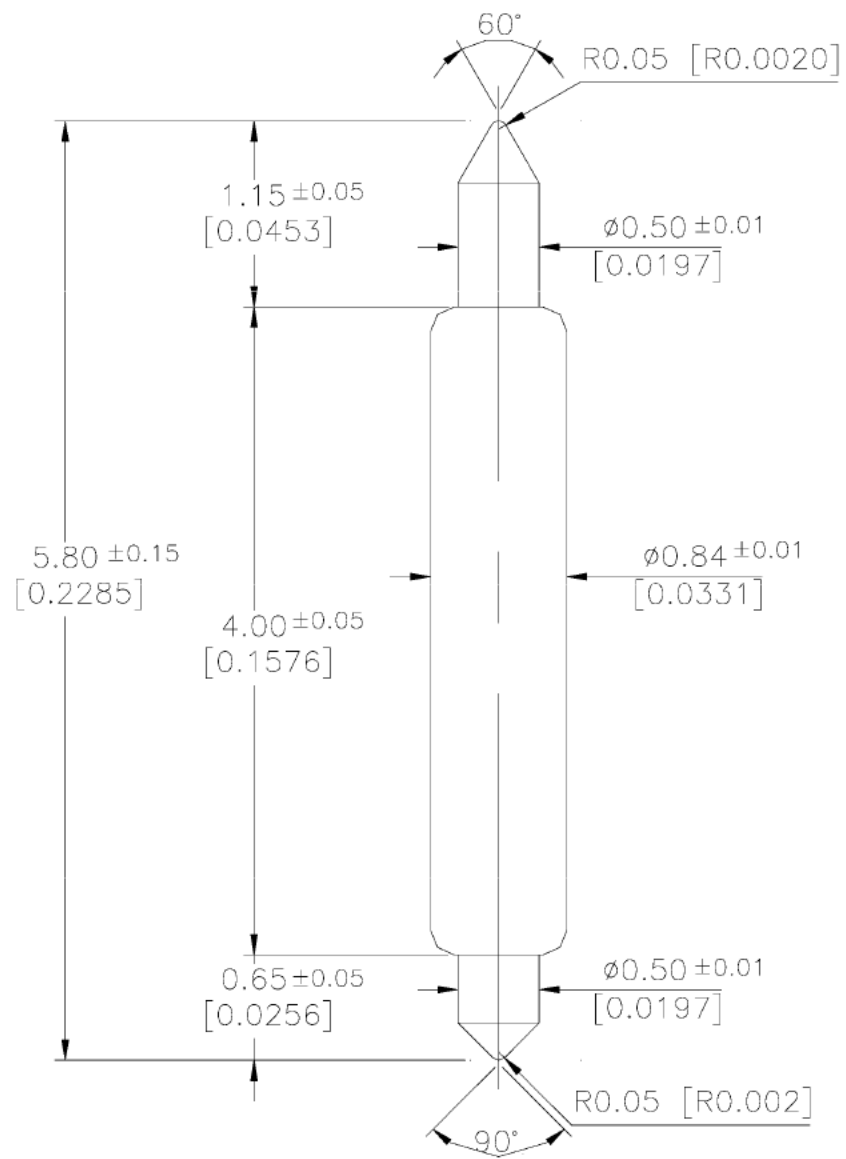


REV	DESCRIPTION	DATE	BY
A	NEW DRAWING	10/04/12	JAG

SKT3825



Pointing Accuracy: ± 0.05 mm
 Spring Force: $\pm 20\%$

STATE	TRAVEL	SPRING FORCE
Initial Travel	--	14.1g (0.497oz)
Recommended Travel	0.70mm (0.0276)	30.6g (1.097oz)
Full Travel	1.05mm (0.0413)	38.9g (1.372oz)

PART	MATERIAL	FINISH
Plunger	Hardened Beryllium Copper	Gold Plated
Barrel	Phosphor Bronze	Gold Plated
Spring	Stainless Steel	Gold Plated

DIMENSIONS ARE IN MM UNLESS OTHERWISE SPECIFIED TOLERANCES ARE:
 X.X ± 0.100 MM ANGULAR:
 X.XX ± 0.050 MM X.X° ± 1.0 °
 X.XXX ± 0.025 MM X.XX° ± 0.5 °

ALL DIMENSIONS ARE IN MILLIMETERS UNLESS OTHERWISE SPECIFIED

	EMULATION TECHNOLOGY, INC. — VLSI and SMT ADAPTERS and ACCESSORIES —	
	759 FLYNN ROAD CAMARILLO, CA 93012	TEL: (805) 383-8480 FAX: (805) 383-8484
SHEET: 1 OF 1	DATE: 10/04/12	REVISION: A
CHECKED:		PREPARED BY: J. GELACIO
DO NOT SCALE DRAWING		ITEM: POGO-PIN-5.80-4 DESCRIPTION: POGO-PIN-5.80-4