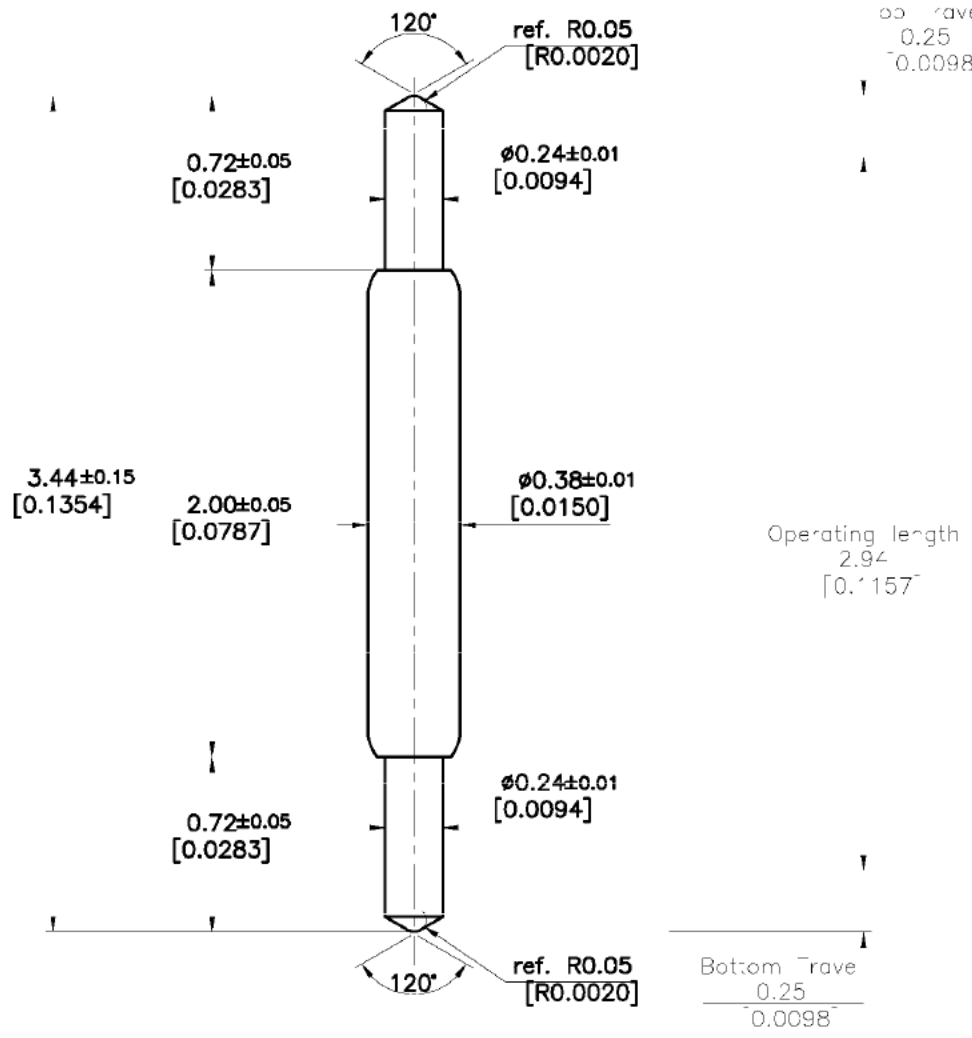


REV	DESCRIPTION	DATE	BY
A	NEW DRAWING	04/05/12	JAG

SKT3762



Pointing Accuracy: ± 0.08 mm  
Spring Force: ± 20%

STATE	TRAVEL (mm [in])	SPRING FORCE (g [oz])
Initial Travel	--	7.2 [0.253]
Recommended Travel *	0.50 [0.0197]	20.0 [0.704]
Full Travel *	0.60 [0.0236]	22.5 [0.795]

**NOTES:**

- \* 1. Due to the difference of only 0.10mm between recommended and full travel, it is very important to verify the actual working travel when this probe is set in a socket. If the actual working travel is over 0.50mm, the device, spring and/or PCB pad will become damaged. See note 2 with critical instructions.
- 2. When the pin is set in a DUT Board, preload pin at 0.25mm or more at the bottom side to preserve durability.

PART	MATERIAL	FINISH
Plunger (2x)	Hardened Beryllium Copper	Gold Plated
Barrel	Phosphor Bronze	Gold Plated
Spring	Stainless Steel	Gold Plated

ALL DIMENSIONS ARE IN MILLIMETERS UNLESS OTHERWISE SPECIFIED

**EMULATION TECHNOLOGY, INC.**  
 VLSI and SMT ADAPTERS and ACCESSORIES  
 759 FLYNN ROAD  
 CAMARILLO, CA 93012  
 TEL: (805) 383-8480  
 FAX: (805) 383-8484

SHEET: 1 OF 1	DATE: 04/05/12	REVISION: A	ASSEMBLY DRAWING
CHECKED:	PREPARED BY: J. GELACIO	ITEM: POGO-PIN-3.44-1	DESCRIPTION: POGO-PIN-3.44-1
DO NOT SCALE DRAWING			

DIMENSIONS ARE IN MM UNLESS OTHERWISE SPECIFIED TOLERANCES ARE:  
 X.X ±0.100MM ANGULAR: X.X° ±1.0°  
 X.XX ±0.050MM X.XX° ±0.5°  
 X.XXX ±0.025MM