

REV	DESCRIPTION	DATE	BY
A	NEW DRAWING	02/19/10	JAG

SKT3405

SPECIFICATIONS

MECHANICAL

Full Travel: .050 (1.27)
 Recommended Working Travel: .050 (1.27)
 Mechanical Life Exceeds: 1 x 10⁶ cycles

OPERATING TEMPERATURE -55⁰C to +150⁰C

ELECTRICAL SPECIFICATIONS

Current Rating: 3 amps

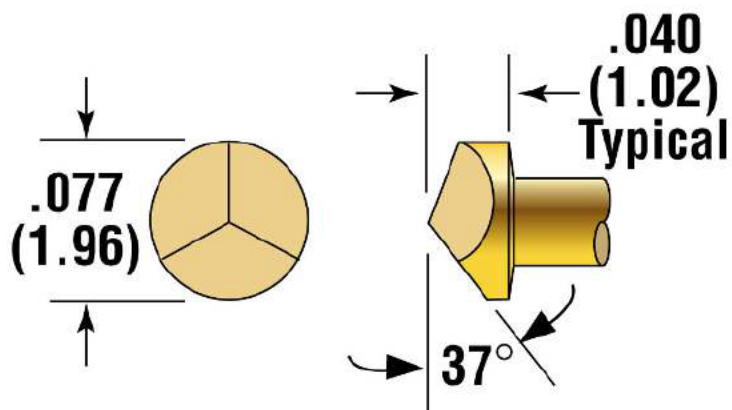
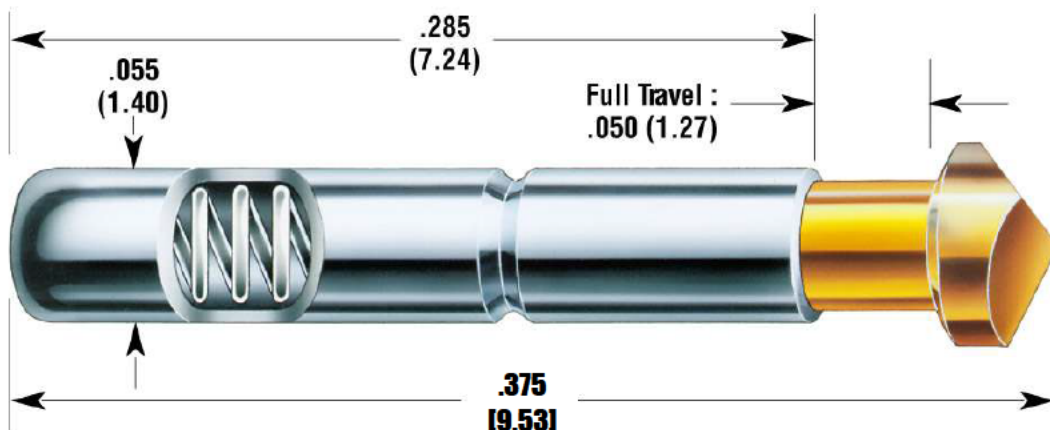
AVERAGE PROBE RESISTANCE 50mΩ


MATERIALS AND FINISHES

Plunger: Heat-treated beryllium copper,
 gold plated over hard nickel
 Barrel: Work-hardened nickel silver
 Spring: Stainless steel, silver plated

SPRING FORCE in oz. (grams)

Standard
 Preload 1.1 (31)
 Full Travel 3.85 (109)



ALL DIMENSIONS ARE IN INCHES [MM] UNLESS OTHERWISE SPECIFIED			
		EMULATION TECHNOLOGY, INC. VLSI and SMT ADAPTERS and ACCESSORIES	
		759 FLYNN ROAD CAMARILLO, CA 93012	TEL: (805) 383-8480 FAX: (805) 383-8484
SHEET: 1 OF 1	DATE: 02/19/10	REVISION: A	ASSEMBLY DRAWING
CHECKED:	PREPARED BY: J. GELACIO	ITEM: POGO-PIN-9.53-1	DESCRIPTION: POGO-PIN-9.53-1
DO NOT SCALE DRAWING			