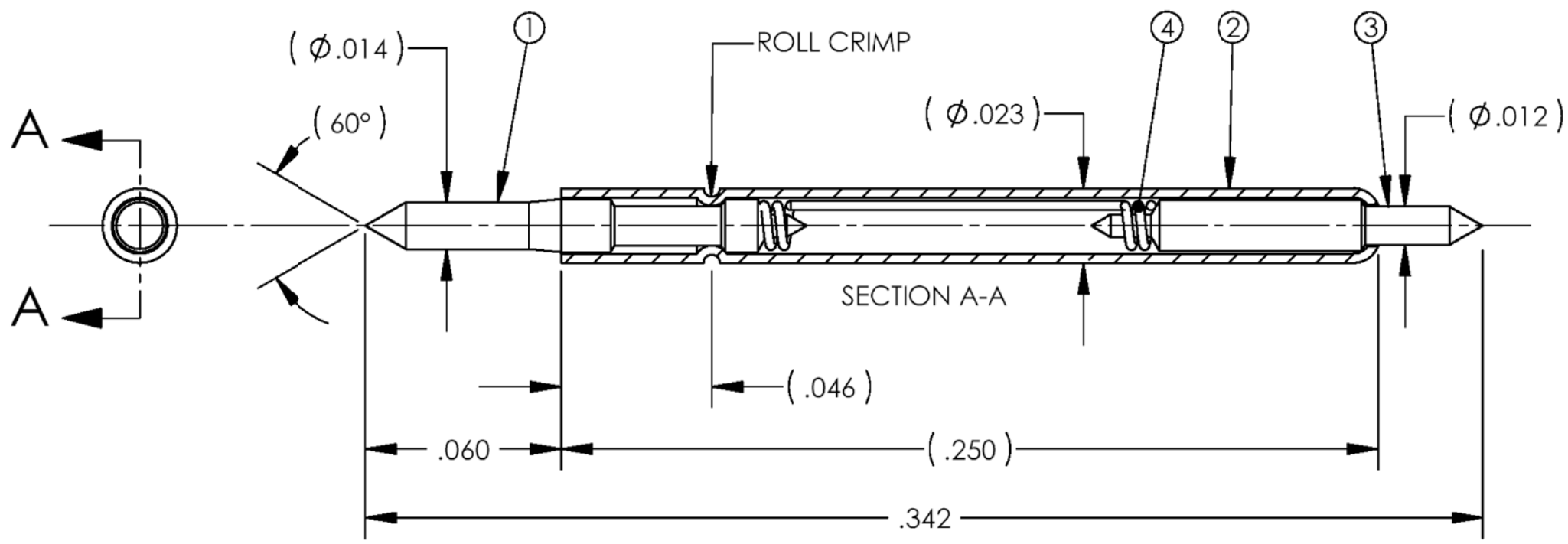


REV	DESCRIPTION	DATE	BY
A	NEW DRAWING	04/17/08	JAG

ITEM	MATERIAL	FINISH
1	BECU	GOLD
2	PHOS BRONZE	GOLD
3	BECU	GOLD
4	ST. STEEL	GOLD

SKT3090



NOTES:

1. MINIMUM TRAVEL OF BOTH PLUNGERS COMBINED IS .040.
2. SPRING PRESSURE:  
.5 OZ INITIAL & 1.2 OZ @ .030 RECOMMENDED TRAVEL.

UNLESS OTHERWISE SPECIFIED  
ALL DIMENSIONS ARE IN INCHES

TOLERANCES ARE:  
.X = +/- .03  
.XX = +/- .015  
.XXX = +/- .005  
.XXXX = +/- .0005

TAPER ON ANY DIA. = .002/IN. MAX  
ALL CORNER RADII = .005 MAX  
ANGLES = +/- 2 DEGREES

ALL DIMENSIONS ARE IN INCHES UNLESS OTHERWISE SPECIFIED

**EMULATION TECHNOLOGY, INC.**  
— VLSI and SMT ADAPTERS and ACCESSORIES —

759 FLYNN ROAD  
CAMARILLO, CA 93012

TEL: (805) 383-8480  
FAX: (805) 383-8484

SHEET: 1 OF 1	DATE: 04/17/08	REVISION: A	<b>ASSEMBLY DRAWING</b>
CHECKED:		DRAWN: Janice A. Gelacio	ITEM: POGO-PIN-8.69-3
DO NOT SCALE DRAWING			DESCRIPTION: POGO-PIN-8.69-3