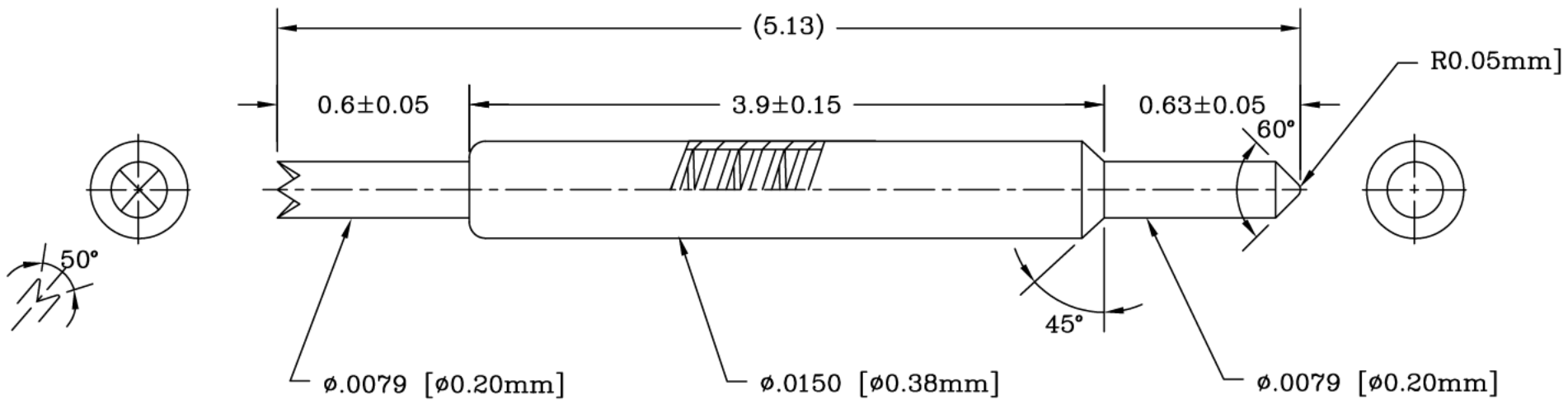



REV	DESCRIPTION	DATE	BY
A	NEW DRAWING	04/26/06	H.N.
B	ADDED TOLERANCES	07/13/06	H.N.

SKT2591



TOLERANCES: ALL DIA ±0.01mm

ALL DIMENSIONS ARE IN MILLIMETERS UNLESS OTHERWISE SPECIFIED



Emulation Technology, Inc.
 — VLSI and SMT ADAPTERS and ACCESSORIES —
 2344 Walsh Avenue, Bldg.F Santa Clara, Ca 95051
 TEL:(408)982-0660 FAX:(408)982-0664

SHEET: 1 OF 1	DATE: 04/26/06	REVISION: B	ASSEMBLY DRAWING
CHECKED: Perry Munroe	DRAWN: Huy Nguyen		
Scale N/A		DO NOT SCALE DRAWING	
			DESCRIPTION: POGO-PIN-5.13-1