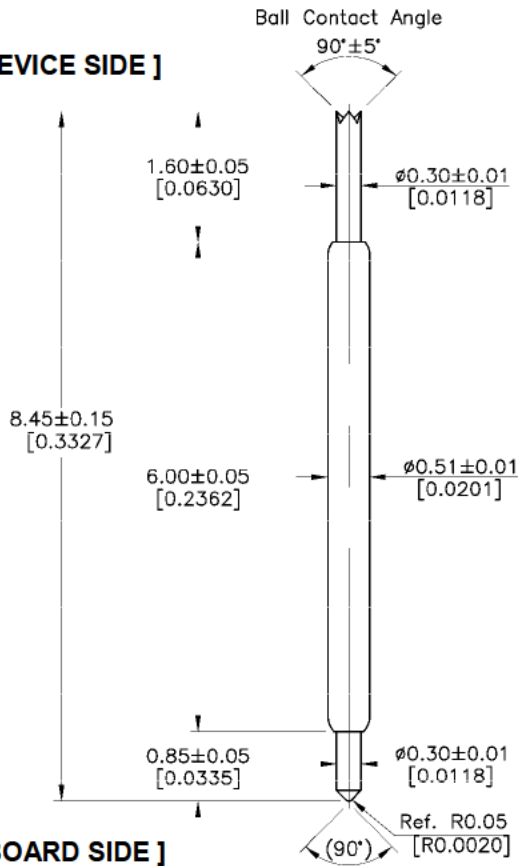


REV	DESCRIPTION	DATE	BY
A	NEW DRAWING	06/14/05	H.N.
B	ADDED MECH. & PERFORM. DATA	09/02/16	JAG

SKT2325

**[ DEVICE SIDE ]**



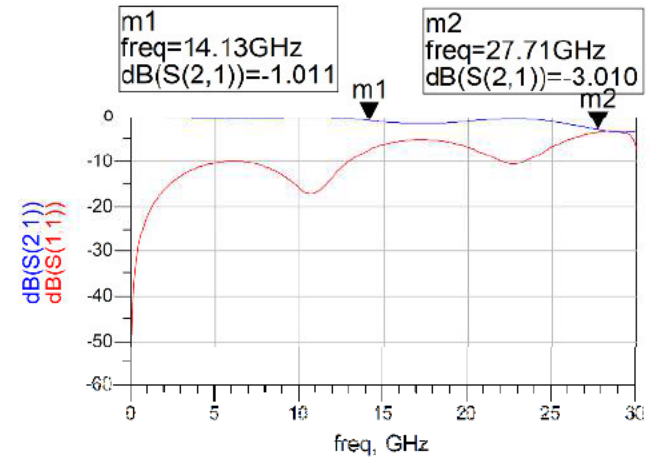
**[ BOARD SIDE ]**

**MEASURING EQUIPMENT**

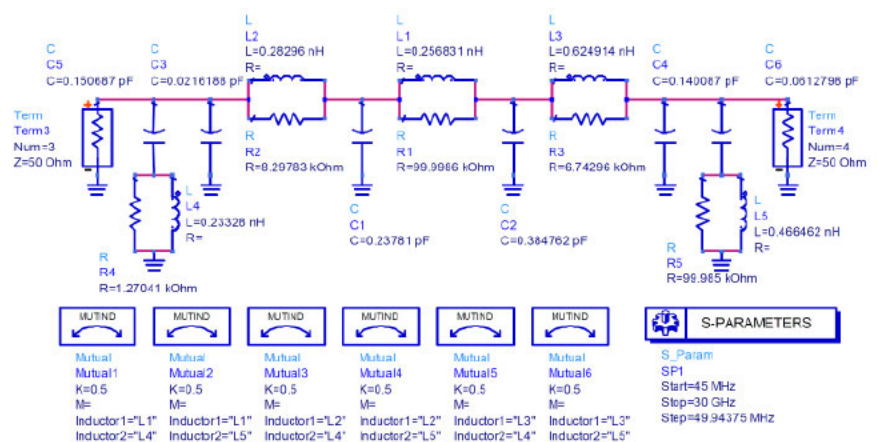
Agilent PNA-X N5244A VNA.  
Hewlett-Packard 54750A TDR module

**ELECTRICAL**

Current Rating (based on 2 min Continuous @ Ambient Temp) 3.5A  
Self Inductance 1.16nH  
Mutual Inductance 0.42nH (K=0.5)  
Capacitance 1.00pF  
Propagation Delay 72.27ps  
Bandwidth 14.13GHz @ -1.011dB  
(Dielectric Material: ULTEM1000)



**S-PARAMETER**



**EQUIVALENT CIRCUIT MODEL**

**MECHANICAL**

Pointing Accuracy: ± 0.05 mm

Spring Force: ± 20%

STATE	TRAVEL	SPRING FORCE
Initial Travel	--	14.4g (0.508oz)
Recommended Travel	0.60mm (0.0236")	33.9g (1.196oz)
Full Travel	1.40mm (0.0551")	59.8g (2.109oz)

PART	MATERIAL	FINISH
Spring	Music Wire	Gold Plated
Barrel	Phosphor Bronze	Gold Plated
Plunger (Device Side)	Hardened Beryllium Copper	Gold Plated
Plunger (Board Side)	Hardened Beryllium Copper	Gold Plated

ALL DIMENSIONS ARE IN MILLIMETERS UNLESS OTHERWISE SPECIFIED

**EMULATION TECHNOLOGY, INC.**  
VLSI and SMT ADAPTERS and ACCESSORIES

741 FLYNN ROAD  
CAMARILLO, CA 93012

TEL: (805) 383-8480  
FAX: (805) 383-8484

SHEET: 1 OF 1	DATE: 06/14/05	REVISION: B	<b>ASSEMBLY DRAWING</b>
CHECKED: P. MUNROE	PREPARED BY: H. NGUYEN	ITEM: POGO-PIN-8.45-1	
<b>DO NOT SCALE DRAWING</b>			DESCRIPTION: POGO-PIN-8.45-1