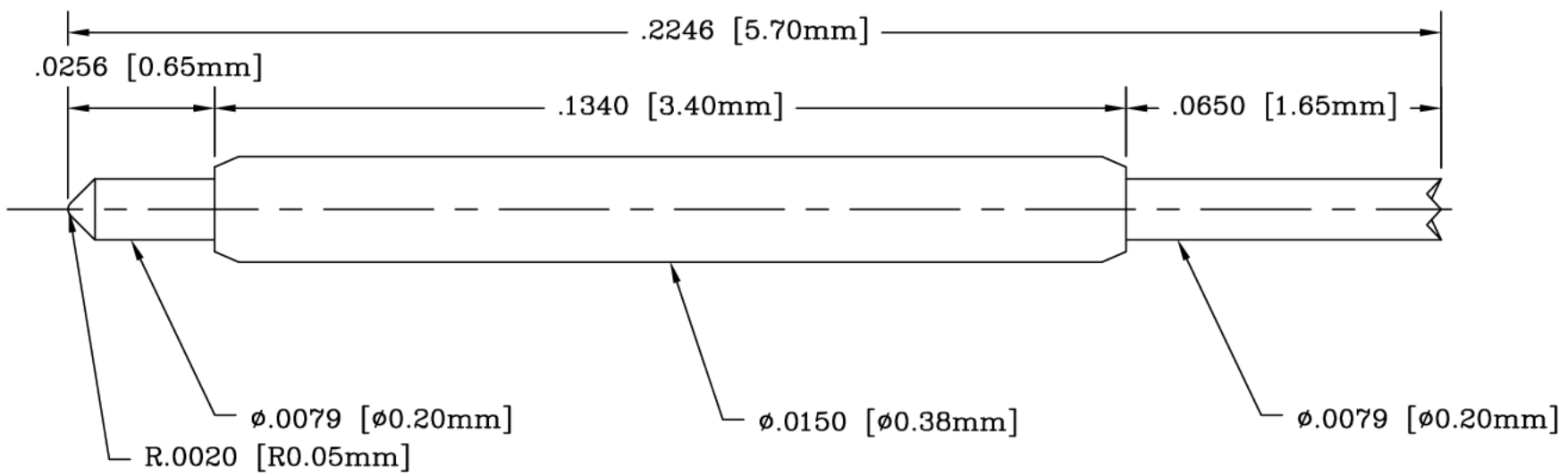


REV	DESCRIPTION	DATE	BY
A	NEW DRAWING	05/04/05	H.N.

SKT2288




POINTING ACCURACY: 0.085mm

SPRING FORCE: 20%

5.6g(0.198oz) AT INITIAL TRAVEL,  
 15.1g(0.533oz) AT .0295 [0.75mm] RECOMMENDED TRAVEL  
 15.8g(0.557oz) AT .0315 [0.80mm] FULL TRAVEL

**MATERIAL & FINISH:**

PLUNGER	HARDENED BERYLLIUM COPPER	/	GOLD PLATED
BARREL	PHOSPHOR BRONZE	/	GOLD PLATED
SPRING	MUSIC WIRE	/	GOLD PLATED

ALL DIMENSIONS ARE IN INCHES UNLESS OTHERWISE SPECIFIED			
		<b>Emulation Technology, Inc.</b> — VLSI and SMT ADAPTERS and ACCESSORIES —	
		2344 Walsh Avenue, Bldg.F Santa Clara, Ca 95051	TEL:(408)982-0660 FAX:(408)982-0664
SHEET: 1 OF 1	DATE: 05/04/05	REVISION: A	<b>ASSEMBLY DRAWING</b>
CHECKED: Perry Munroe	DRAWN: Huy Nguyen	ITEM: POGO-PIN-5.70-4	
Scale N/A DO NOT SCALE DRAWING		DESCRIPTION: POGO-PIN-5.70-4	