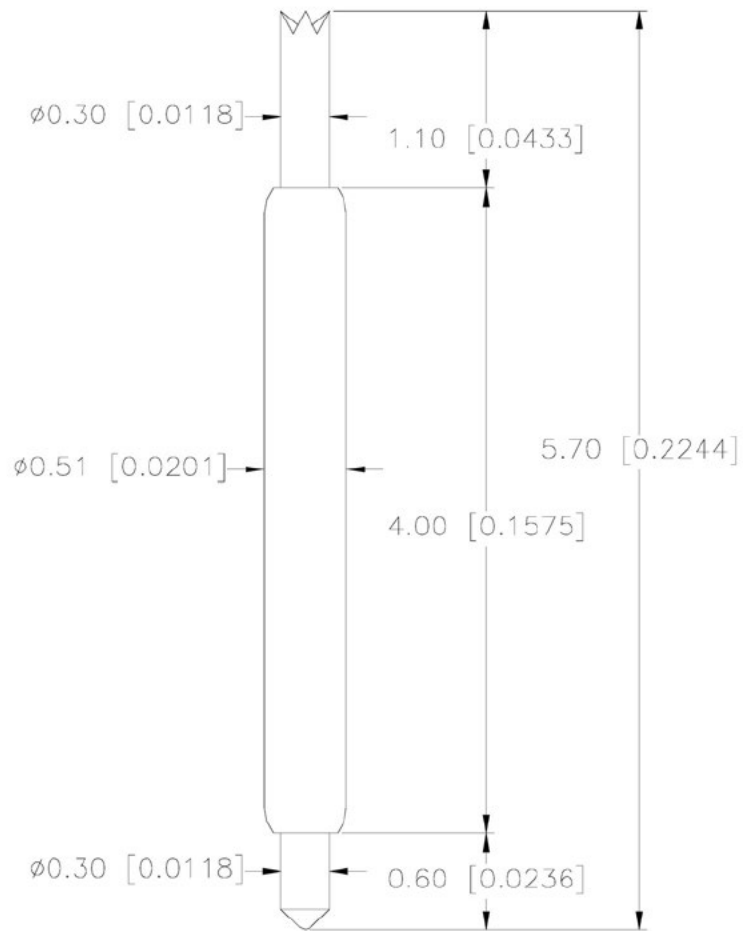


| REV | DESCRIPTION | DATE | BY |
|-----|-------------|----------|----|
| A | NEW DRAWING | 06/13/03 | SC |

| |
|----------|
| SKT1768 |
| DOD41768 |



Unit: Millimeter[inch]

Spring force

10.00g(0.353oz) at initial travel

23.00g(0.811oz) at 0.65mm(0.0256) recommended travel

30.00g(1.058oz) at 1.00mm(0.0394) full travel

Material & Finish

Plunger Hardened Beryllium copper / Gold Plated

Barrel Phospher Bronze / Gold Plated

Spring Music Wire / Gold Plated

ALL DIMENSIONS ARE IN INCHES UNLESS OTHERWISE SPECIFIED



Emulation Technology, Inc.

VLSI and SMT ADAPTERS and ACCESSORIES

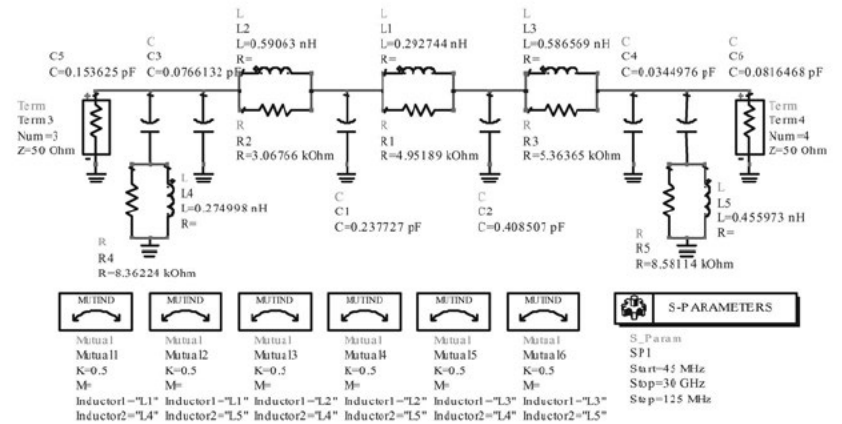
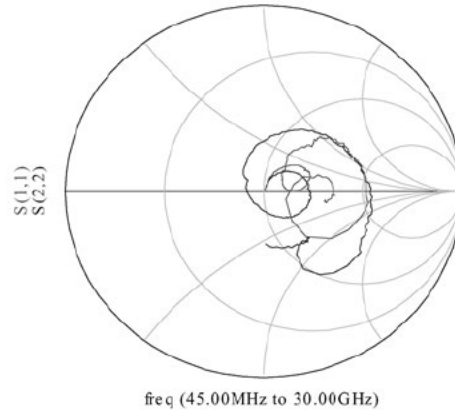
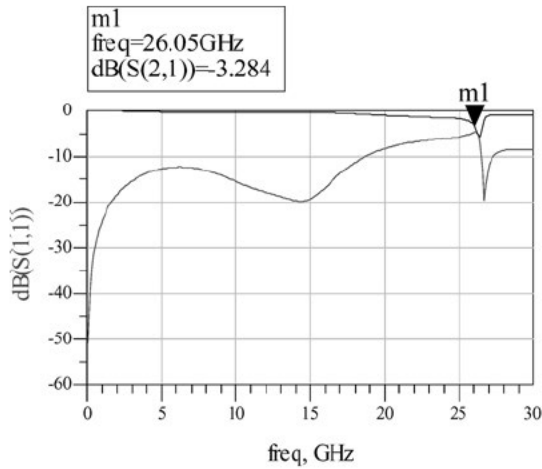
2344 Walsh Avenue, Bldg F
Santa Clara, CA 95051

TEL: (408) 982-0660
FAX: (408) 982-0664

| | | | |
|--------------------------|----------------------|---|-------------------------|
| SHEET: 1 OF 2 | DATE: 6/10/03 | REVISION: A | ASSEMBLY DRAWING |
| CHECKED: Joe Bagliere | DRAWN: SC | ITEM: POGO-PIN-5.70-1 | |
| SCALED: N/A | DO NOT SCALE DRAWING | DESCRIPTION: POGO-PIN-5.70-1, 0.65mm Pitch | |

| REV | DESCRIPTION | DATE | BY |
|-----|-------------|----------|----|
| A | NEW DRAWING | 06/13/03 | SC |

| |
|----------|
| SKT1768 |
| DOD41768 |



- Equivalent-circuit model -

Electrical Spec.

| | |
|----------------------|--------------------|
| Current Rating | : 1.0A Continuous |
| Probe Resistance | : Less than 50mohm |
| Self Inductance | : 1.47nH |
| Mutual Inductance | : 1.03nH(K=0.5) |
| Capacitance | : 0.99pF |
| Bandwidth | : 26.05GHz |
| Propagation Delay | : 44.9ps |
| (Dielectric material | : ULTEM1000) |

| | | | |
|---|----------------------|--|--|
| ALL DIMENSIONS ARE IN INCHES UNLESS OTHERWISE SPECIFIED | | | |
| | | Emulation Technology, Inc. VLSI and SMT ADAPTERS and ACCESSORIES | |
| | | 2344 Walsh Avenue, Bldg F Santa Clara, CA 95051 | TEL: (408) 982-0660 FAX: (408) 982-0664 |
| SHEET: 2 OF 2 | DATE: 6/13/03 | REVISION: A | ASSEMBLY DRAWING |
| CHECKED: Joe Bagliere | DRAWN: SC | ITEM: | POGO-PIN-5.70-1 |
| SCALED: N/A | DO NOT SCALE DRAWING | DESCRIPTION: | POGO-PIN-5.70-1, 0.65mm Pitch |