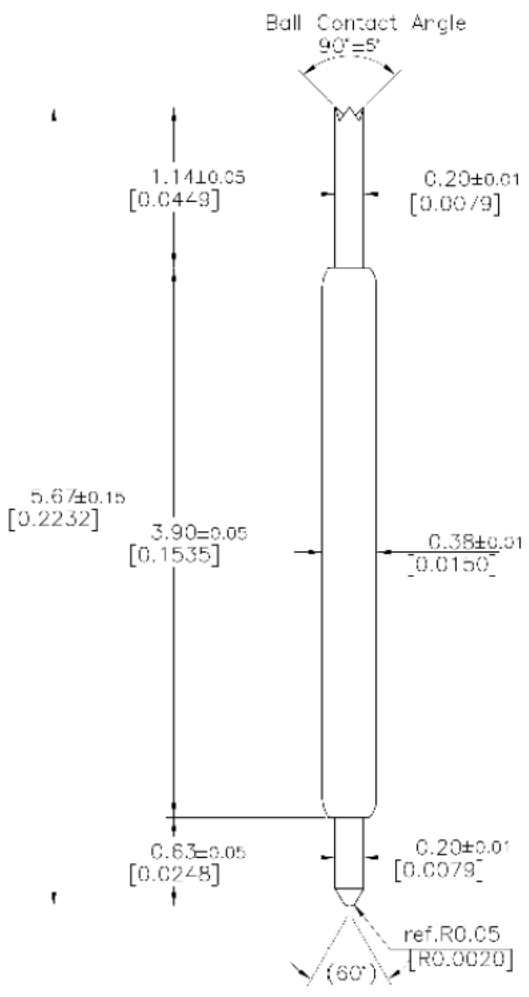


REV	DESCRIPTION	DATE	BY
A	NEW DRAWING	11/20/01	HN
B	ADDED LEAD PITCH	3/28/02	HN
C	UPDATED DWG & NOTES	8/18/14	TF

SKT1477



op. side
0.50
0.019/

[Device side]

POGO PIN DESIGNED FOR LEAD PITCH:
0.65mm
0.50mm

* Notice :
0.20mm or more
of Preload at
bottom side is
MUST in use for
durability of the pin
when the pin is set
in DUT Board.

Operating Length
4.9/
0.195/

[Board side]

Bottom side
0.20
0.0079

UNLESS OTHERWISE SPECIFIED:
DIMENSIONS ARE IN MILLIMETERS
SURFACE FINISH:
GENERAL TOLERANCES: ±0.10
LINEAR:
ANGULAR:

Pointing accuracy : ± 0.05 mm

Spring force [±20%]

- 6.4g(0.227oz) at initial travel
- 25.0g(0.882oz) at 0.70mm(0.0276) recommended travel
- 30.9g(1.089oz) at 0.95mm(0.0374) full travel

Material & Finish

Plunger [Device side]	Hardened Beryllium copper	/ Gold Plated
Plunger [Board side]	Hardened Beryllium copper	/ Gold Plated
Barrel	Phosphor Bronze	/ Gold Plated
Spring	Stainless Steel	/ Gold Plated

Unit : Millimeter[inch]

ALL DIMENSIONS ARE IN MILLIMETERS UNLESS OTHERWISE SPECIFIED

		EMULATION TECHNOLOGY, INC. VLSI and SMT ADAPTERS and ACCESSORIES	
		759 FLYNN ROAD CAMARILLO, CA 93012	TEL: (805) 383-8480 FAX: (805) 383-8484
SHEET: 1 OF 1	DATE: 11/20/01	REVISION: C	ASSEMBLY DRAWING
CHECKED: P. MUNROE	PREPARED BY: H. NGUYEN	ITEM: POGO-PIN-5.67-1	
DO NOT SCALE DRAWING			DESCRIPTION: POGO-PIN-5.67-1