

THIS DOCUMENT CONTAINS PROPRIETARY INFORMATION AND IS THE PROPERTY OF INTERCONNECT SYSTEMS INTL, LLC. IT SHALL NOT BE REPRODUCED, COPIED, OR DISCLOSED TO THIRD PARTIES WITHOUT PRIOR WRITTEN CONSENT OF INTERCONNECT SYSTEMS INTL.

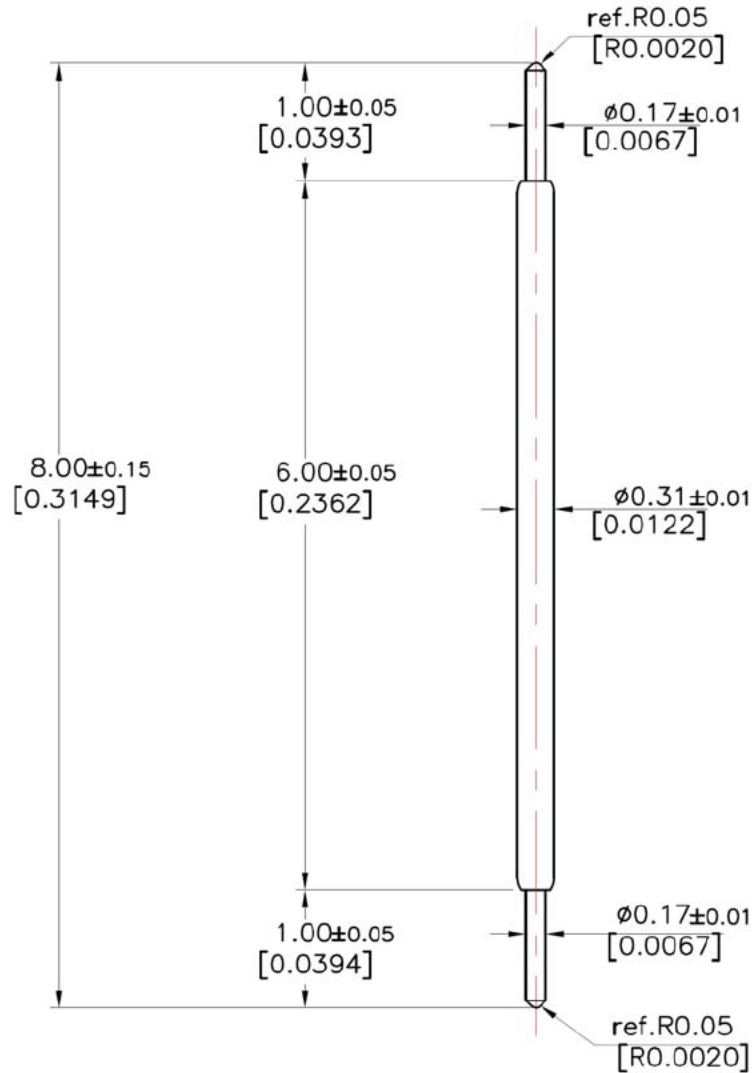


DWG No. 1 POGO-PIN-8.00-7

REVISION HISTORY

REV	DESCRIPTION	ECN	DATE	APRVD
1	PRELIMINARY	--	06/21/19	ET

TOP PLUNGER



BOTTOM PLUNGER

Pointing Accuracy: ± 0.04 mm

Spring Force: ± 20%

STATE	TRAVEL	SPRING FORCE
Initial Travel	--	5.0g (0.176oz)
Recommended Travel	0.80mm (0.0315")	22.5g (0.794oz)
Full Travel	1.05mm (0.0413")	28.0g (0.988oz)

PART	MATERIAL	FINISH
Spring	Stainless Steel	Gold Plated
Barrel	Phosphor Bronze	Gold Plated
Top Plunger	Hardened Beryllium Copper	Gold Plated
Bottom Plunger	Hardened Beryllium Copper	Gold Plated

*NOTE: DUT board compliance of 0.30mm travel or greater required when designing the fixture or socket. Durability of the probe may be affected if less travel is used.

DIMENSIONS ARE IN MM. UNLESS OTHERWISE SPECIFIED TOLERANCES ARE:
 DECIMALS: X.X ±0.100 X.XX ±0.050 X.XXX ±0.025
 ANGULAR: X.X° ±1.0° X.XX° ±0.5°

CONTRACT NO. Quote # RF06181901				INTERCONNECT SYSTEMS INTL, LLC a molex company	
CAGE CODE 3F8U4		741 FLYNN ROAD, CAMARILLO, CALIFORNIA 93012 805-482-2870 MAIN 805-482-8470 FAX			
PREPARED BY R.FLORES	DATE 06/21/19	TITLE POGO PIN			
DESIGNER ET	DATE 06/21/19	0.40mm Pitch, D/D Plungers, 22.5g SF, Au Plate Finish			
CHECKER ET	DATE 06/21/19	SIZE A	ROHS 6/6	SCALE N/A	DRAWING NO. POGO-PIN-8.00-7
QA --	DATE --	SAVED AS: POGO-PIN-8.00-7.PDF		FINISHED ASSY: --	MOLEX PART NUMBER 2220000696
PROCESS ENG. --	DATE --			SHEET 1 OF 1	REV 1