

4

3

2

DWG NO. 1 2220000426.PDF

THIS DOCUMENT CONTAINS PROPRIETARY INFORMATION AND IS THE PROPERTY OF INTERCONNECT SYSTEMS INTERNATIONAL, LLC (ISI). IT SHALL NOT BE REPRODUCED, COPIED, OR DISCLOSED TO THIRD PARTIES WITHOUT THE PRIOR WRITTEN CONSENT OF ISI.

## REVISION HISTORY

REV	DESCRIPTION	ECN	DATE	APRVD
1	INITIAL RELEASE	--	5/31/18	JAG

D

D

C

C

→

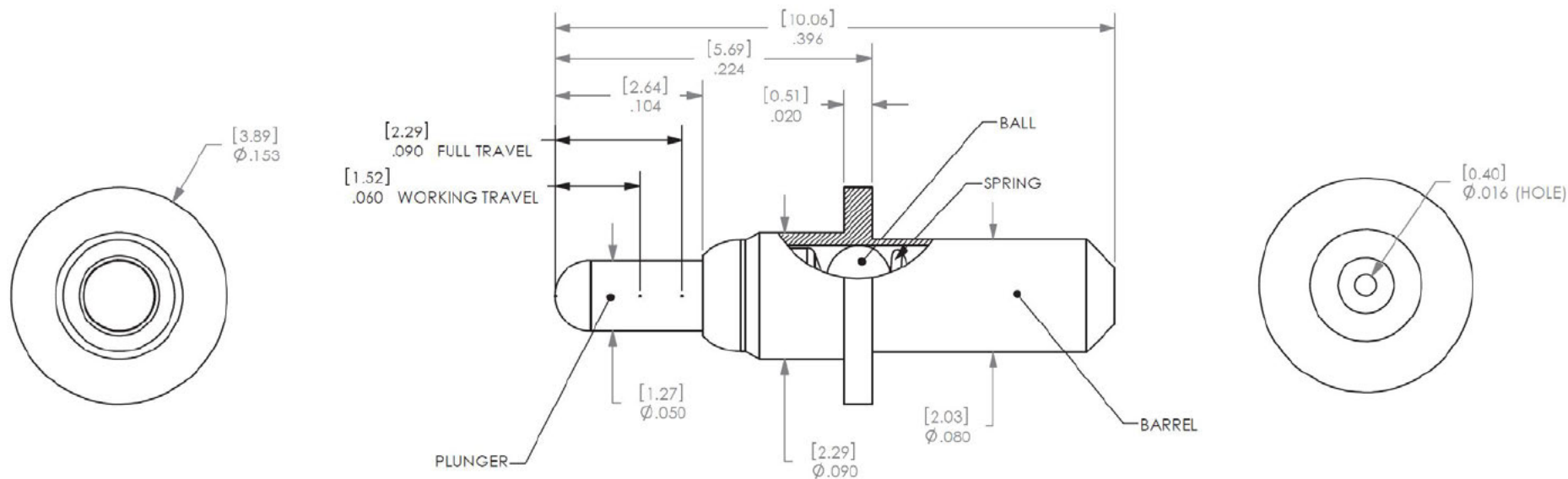
←

B

B

A

A



Temperature Rating:  $-50^{\circ}\text{C}$  to  $+150^{\circ}\text{C}$   
 Current Rating: 5 amps  
 Contact Resistance: 30 mOhm  
 Spring Force:  $\pm 20\%$

STATE	TRAVEL	SPRING FORCE
Initial Travel	--	68.0g (2.40oz)
Recommended Travel	1.52mm (0.060")	176.0g (6.20oz)
Full Travel	2.29mm (0.090")	--

PART	MATERIAL	FINISH
Plunger	Beryllium Copper	Gold Plated
Barrel	Brass	Gold Plated
Spring	Stainless Steel	Gold Plated
Bias Ball	Stainless Steel	Rhodium Plated

CONTRACT NO.



INTERCONNECT SYSTEMS INTL, LLC  
 a **molex** company  
 741 FLYNN ROAD, CAMARILLO, CALIFORNIA 93012

DRAWN BY R. FLORES DATE 05/31/18

DESIGNER J. GELACIO DATE 05/31/18

CHECKER J. GELACIO DATE 05/31/18

QA N/A

PROCESS ENG. N/A

TITLE  
**POGO PIN**  
 4.78mm Pitch, C Plunger, 176.0g SF, Au Plate Finish

SIZE A

RoHS

SCALE N/A

DRAWING NO.

2220000426

REV 1

SAVED AS:

2220000426.PDF

FINISHED ASSY:

SHEET 1 OF 1

4

3

2

1

↑